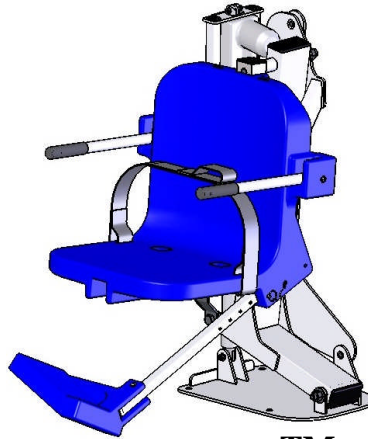




Aqua Creek Products

The Total Solution for Pool and Spa Access



PRO POOL-AT™ LIFT

PART #: F-004PLB-AT1 (WITH ANCHOR)
PART #: F-004PLBNA-AT1 (WITHOUT ANCHOR)
US PATENT NUMBERS: [7,249,386 B2] [D507,769 S]
450 LB. [204 kg] MAXIMUM CAPACITY
MANDATORY – LEAVE THIS MANUAL WITH LIFT OWNER

- READ CAREFULLY -

Check entire box and inside all packing materials for parts. Before beginning assembly, read the instructions and identify parts using the figures and parts listed in this document. It is critical that all parts be carefully inspected by the installer prior to installation to ensure that no damage occurred in transit and that a damaged part is not used. If any damage occurred in transit, Aqua Creek Products, LLC must be notified within three days of receipt of unit. Proper installation cannot be overstressed, as an improper installation voids Aqua Creek's warranty and may affect the safety of the user.

9889 GARRYMORE LANE
MISSOULA, MT 59808
1-888-687-3552
FAX: 406-549-2602

Inspected And Verified To Meet
Applicable Sections of ADA
Guidelines Section 1009.2 By

wyle
laboratories
A Registered ISO 9001
Laboratory



WARNING

IMPORTANT SAFETY INSTRUCTIONS

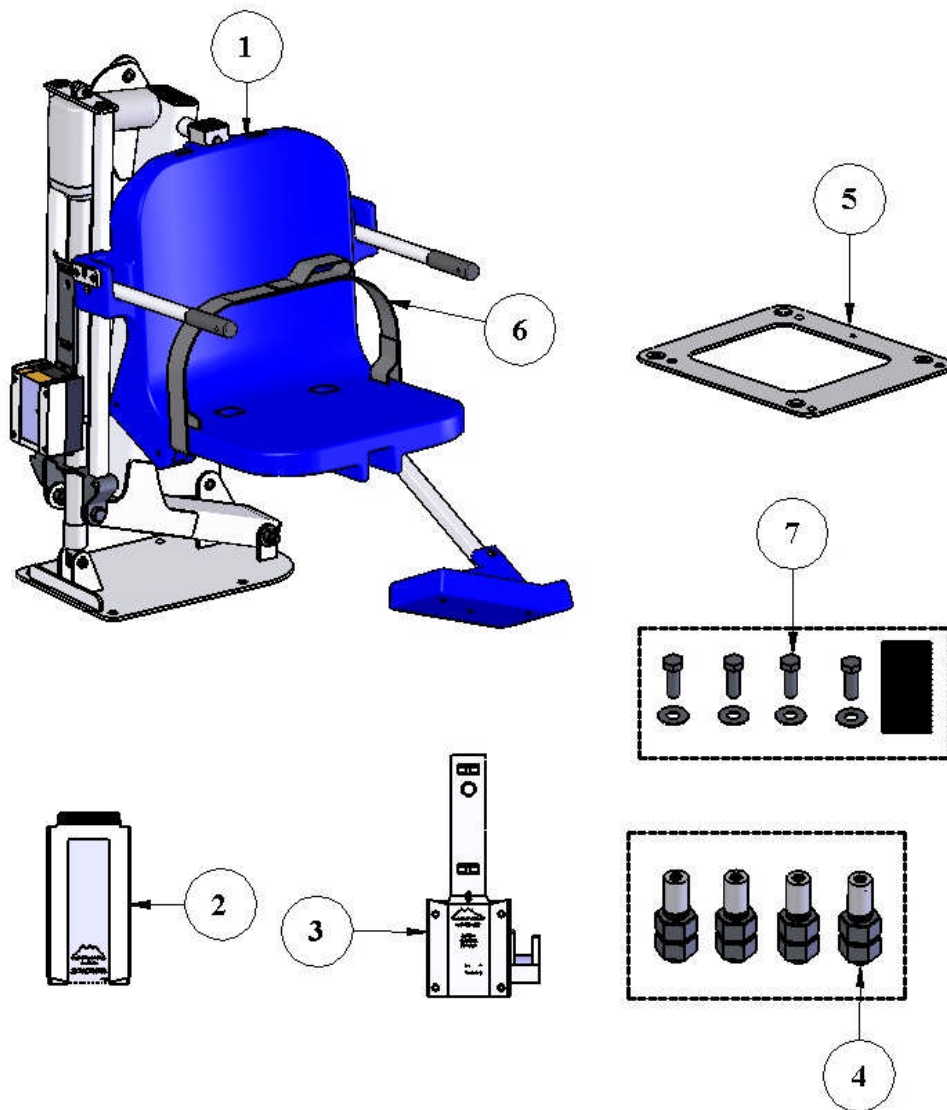
1. READ AND FOLLOW ALL INSTRUCTIONS. LIFT SAFETY CAN ONLY BE ENSURED IF THE LIFT IS INSTALLED AND OPERATED PROPERLY – AS PER THESE INSTRUCTIONS.
2. WARNING- TO REDUCE RISK OF INJURY, DO NOT PERMIT CHILDREN TO USE THIS PRODUCT UNLESS THEY ARE CLOSELY SUPERVISED AT ALL TIMES.
3. WARNING- DO NOT PERMIT CHILDREN TO PLAY ON THIS PRODUCT.
4. WARNING- NEVER APPLY DIRECT WATER PRESSURE TO ELECTRONIC COMPONENTS.
5. DO NOT USE THE PRO POOL LIFT FOR WATER-DRAFTS OVER 12" (DECK TO WATERLINE).
6. NEVER OPERATE THIS LIFT UNDER LOAD WITH NO WATER (DRY POOL).
7. WARNING – FOR SAFETY REASONS NEVER SWIM ALONE.
8. SAVE A COPY OF THESE INSTRUCTIONS.

PRO POOL-AT™ LIFT **TABLE OF CONTENTS**

<u>PAGE</u>	<u>DESCRIPTION</u>
3	PACKING LIST
4	ADA INSTALLATION GUIDELINES
5-6	ANCHOR INSTALLATION; CORE-DRILL RETRO-FIT
7	ANCHOR INSTALLATION; SAW-CUT RETRO-FIT
8	ANCHOR INSTALLATION; NEW CONSTRUCTION
9	PRO POOL-AT™ LIFT ASSEMBLY INSTRUCTIONS
10	24V BATTERY OP & INSTALL INSTRUCTIONS
11	BATTERY MAINTENANCE
12	2nd HANDSET KIT INSTALLATION (OPTIONAL)
13	PRO POOL-AT™ LIFT OPERATING INSTRUCTIONS
14-16	PRO POOL-AT™ LIFT HEADREST (OPTIONAL)
17-18	CARE FOR YOUR LIFT
19-21	TROUBLESHOOTING GUIDE
22	PRO POOL-AT™ PARTS LIST
23	SEAT & ACTUATOR ASSEMBLY PARTS LISTS
24	WARRANTY

PRO POOL-AT™ LIFT

1. PRO POOL-AT™ LIFT W/ FOOTREST
2. 24V BATTERY
3. BATTERY CHARGER W/ MOUNTING PLATE & POWER CORD
4. ANCHOR BOLT BAG (SET OF 4)
5. ANCHOR JIG PLATE
6. SAFETY BELT
7. HARDWARE BAG



ITEM #7: HARDWARE BAG – PRO POOL LIFT			
ITEM #	QTY.	DESCRIPTION	PART USE / LOCATION
1	4	1/2 x 1-1/2" HEX HEAD BOLT S.S.	LIFT ANCHOR BOLTS
2	4	1/2" FLAT WASHER S.S.	LIFT ANCHOR BOLTS & ACTUATOR
3	1	ANTI-SEIZE CREAM PACKET	

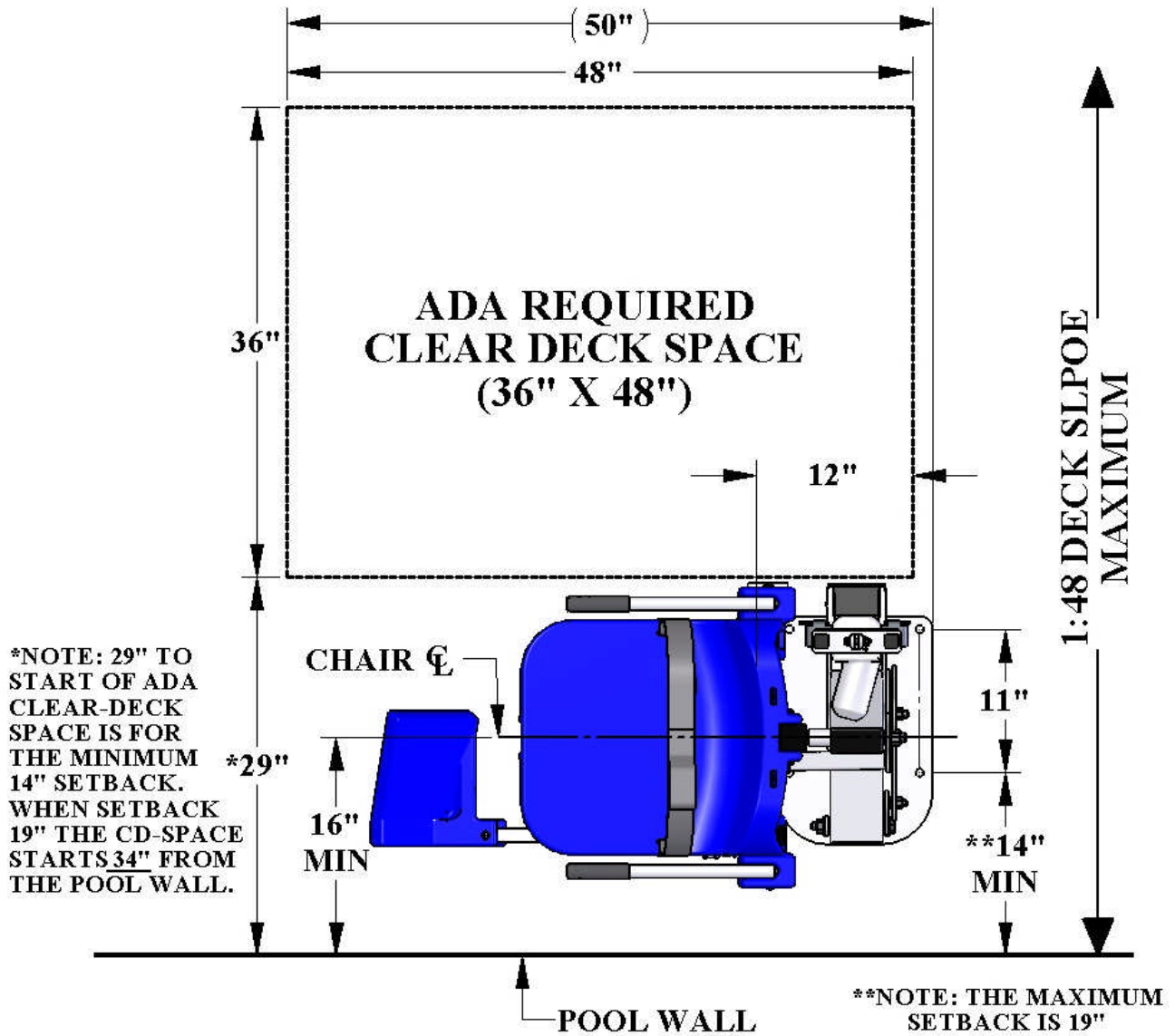
INSTALLATION: ADA GUIDELINES

ADA REQUIREMENTS:

The PRO POOL-AT™ LIFT is designed and manufactured to be 100% ADA compliant. But for the installed lift to be 100% compliant the installation must meet the requirement for CLEAR DECK SPACE as shown in the diagram to the left. To be compliant, install the lift at 14 inches [356mm] minimum from the pool edge, and make sure the deck has the required CLEAR DECK SPACE as shown. The setback distance can be as much as 19", and will still be ADA compliant.

NOTE: ADA requires a deck slope of no greater than 1:48 as shown.

NOTE: The ADA requires the seat to go at least 18" into the water. To make sure the lift has enough clearance the lift should be installed at a location with 42"-48" of depth (deck to pool floor).



ANCHOR INSTALLATION: CORE-DRILL RETRO-FIT

NOTE: FOR CONCRETE DECKS 6" THICK OR THICKER, MINIMUM 2500PSI

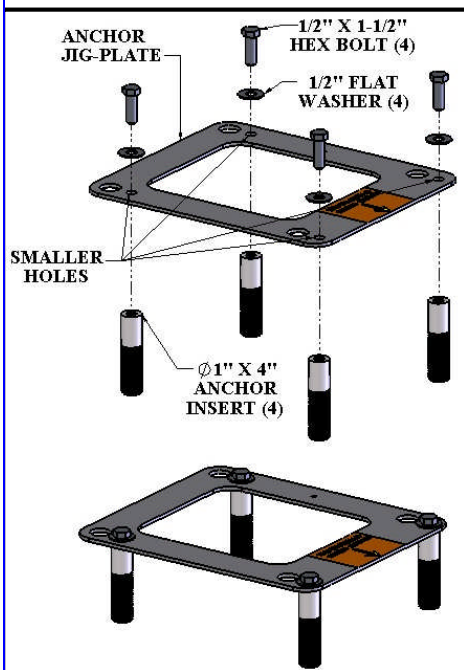
Required Materials & Tools:

- Core drill and 1-1/2" core drill bit
- Tape Measure
- Marking Pen suitable for writing on concrete
- Hammer
- Cold Chisel
- Torpedo Level
- High Strength 2 part anchor epoxy*
- Black electrical tape (Optional)
- Masking tape



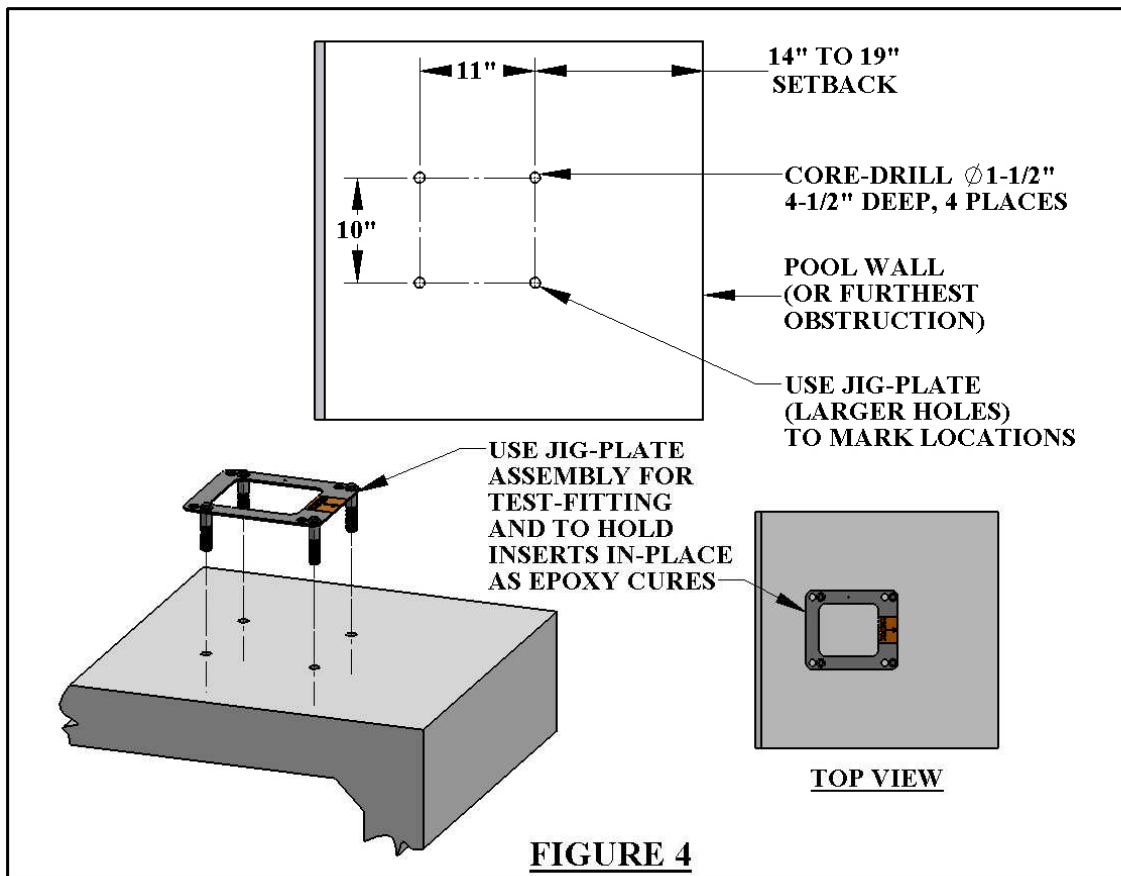
**Aqua Creek recommends either Hilti™ Brand HIT RE-500-SD, Simpson SET-XP or equivalent*

- 1) Locate the anchor plate, four (4) anchor inserts with nuts and mounting hardware. (Part number F-04CAJP - See picture above).
- 2) Using the larger holes in the anchor plate as a template, mark the four hole locations with a marking pen on the pool deck. Verify that the CENTER LINE of the front anchors are no more than 19 inches from the pools edge. **See FIGURE 1, page 4.**
- 3) Using the core drill and the 1-1/2" core drill bit, drill out the four hole locations marked on the pool deck to a depth of about 4 1/2".
 - a. **NOTE:** You can use black electrical tape on the end of the drill bit as a visual marker to indicate the proper depth that you need to drill to.



- b. **NOTE:** Depending on your local grounding requirements, you may need to drill one hole larger than the others so that you can ground at least one of the anchor inserts. In some cases saw cutting a portion of the deck out completely might be required. In this case, follow the "Saw Cutting Retro-Fit Instructions".
- 4) Remove the core from the holes using a hammer and chisel. The holes should be completely dry and clear of any debris before installing the anchors into them.
- 5) Remove the nuts from the threaded anchor inserts and the black protective cover from the end of the anchor insert exposing the internal threads that will accept the mounting hardware.
- 6) Using the smaller holes in the anchor plate, thread the mounting hardware through the anchor plate holes and into the ends of the four anchor inserts so that the tops of the inserts are flush with the **BOTTOM** of the plate (see diagram on left). **IMPORTANT:** Use the enclosed packet of anti-seize on the threads of the hardware to prevent the hardware from seizing in the anchor inserts.
 - a. **NOTE:** It is recommended that you apply tape to the bottom of the anchor plate around the holes so that when and if the two part epoxy oozes out of the holes that it does not secure the anchor plate to the pool deck.

- 7) Allow for a way to bond at least one of the anchor inserts according to your local code requirements. This is typically accomplished with 8-AWG solid-copper wire attached to the pool's bonding grid. For more information see NEC Article 680.26.
- 8) Before putting epoxy into the holes and setting the anchor inserts, you will want to test fit the anchor inserts in the pre-drilled holes first to make sure they line up properly. You can do this by picking up the anchor plate with the four (4) anchor inserts attached to the underside and carefully place them into the four holes drilled in the deck. Using a torpedo level on the plate, verify that you can level up the anchor system. If they do not line up you may have to enlarge your holes.
- 9) After verifying that the anchor inserts line up with the holes properly and you can level the anchor assembly, remove the anchor assembly and fill each hole in the pool deck at least half full of two part construction epoxy (not included). *Aqua Creek recommends either Hilti™ Brand HIT RE-500-SD or Simpson™ SET-XP or equivalent.*
- 10) Pick up the anchor assembly with the four (4) anchor inserts attached to the underside and carefully place them into the four holes drilled in the deck. As you place the anchor inserts that are attached to the anchor plate, wiggle the anchor system a little to make sure the epoxy gets on all sides of the anchor inserts.
- 11) Once the anchor inserts are placed into the holes, use a small torpedo level on the anchor plate to make sure you are level and plumb.
- 12) Allow the epoxy to set up according to the manufacturers recommendations and remove the hardware and the anchor plate. You can now safely mount the lift to the anchor system using the same hardware you used to mount the anchor inserts to the underside of the anchor plate. The anchor plate can be recycled or used for installing a second set of anchors in another location.



ANCHOR INSTALLATION: SAW-CUT RETRO-FIT

Required Materials & Tools:

- Concrete saw with Diamond blade
- Tape Measure
- 4' long Straight edge or chalk line
- Sledge Hammer
- Cold Chisel
- Torpedo Level
- Sting line
- Concrete & Concrete tools
- #4 Rebar

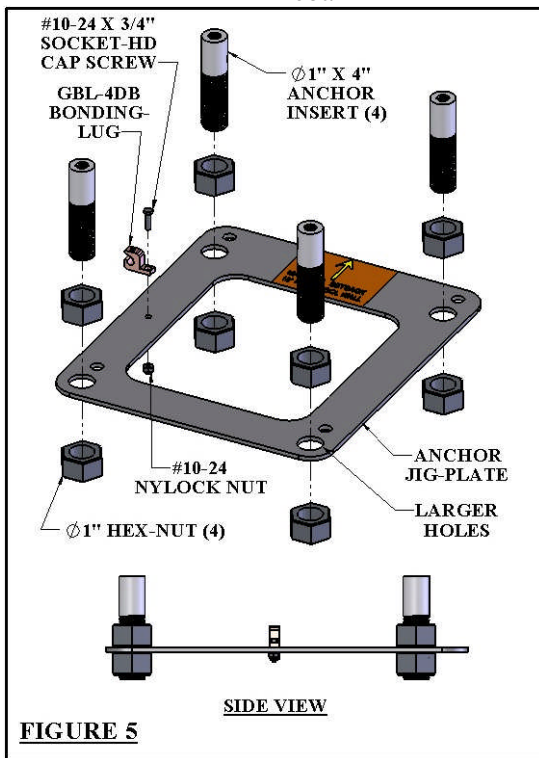


FIGURE 5

- 1) Locate the anchor plate, four (4) anchor inserts with nuts and mounting hardware). (Part number F-04CAJP - See picture above).
- 2) Mark out a section of the pool deck that you are removing using a chalk line or straight edge and a marker. You should plan on removing at least a four foot by four foot section.
- 3) Using the saw with the diamond blade, make your cuts along the lines that you marked.
- 4) Using the sledge hammer, break up the concrete within the area that you cut and remove the pieces.
- 5) After you have removed the portion of the deck, verify that your new deck will be able to be at least 6 inches deep.
- 6) Remove ONE of the nuts from each of the anchor inserts and place the anchor inserts through the larger holes in the anchor plate. Thread the nut back on the other side of the anchor insert so that the anchor plate is sandwiched between the nuts. (See diagram on left).
- 7) Install rebar in the open area of the deck. Tie the rebar into the existing deck if possible. (FIGURE 7)
- 8) Set the anchor system in place making sure that the center line of the front anchor inserts are no more than 19 inches away from the pools edge.
- 9) Using the string line or a straight edge, make sure the top of each anchor body is level and flush with the **FINISHED** deck surface. Each anchor body can be adjusted individually by turning the nuts with a large wrench.
- 10) Bond the anchor system using the bonding lug on the anchor plate. The anchor should be bonded to the pool's bonding-grid according to your local code requirements. (See NEC Article 680.26).
- 11) Pour your concrete and finish the pool deck surface.
- 12) Once the concrete has cured, install the lift by aligning the holes in the lifts base with the anchors installed in the deck. Secure the lift to the deck using the stainless steel hardware that comes with it. (See drawing below)
 - a. NOTE: Use Anti Seize on the hardware to prevent the hardware from seizing in the anchor inserts.

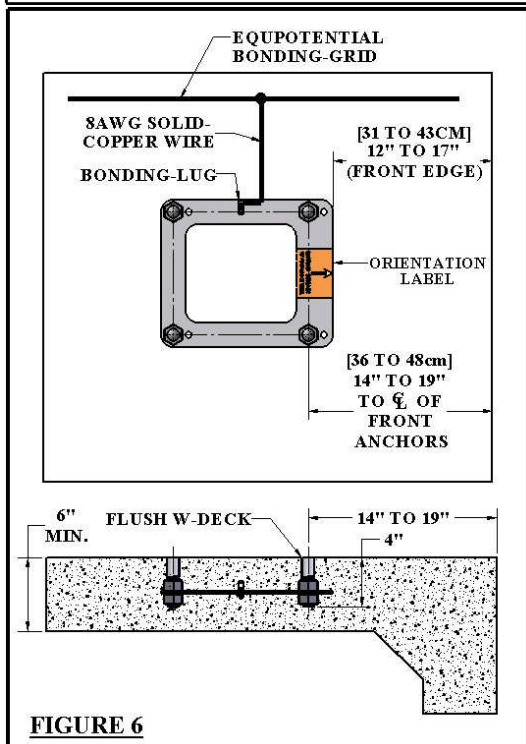


FIGURE 6

ANCHOR INSTALLATION: NEW CONSTRUCTION

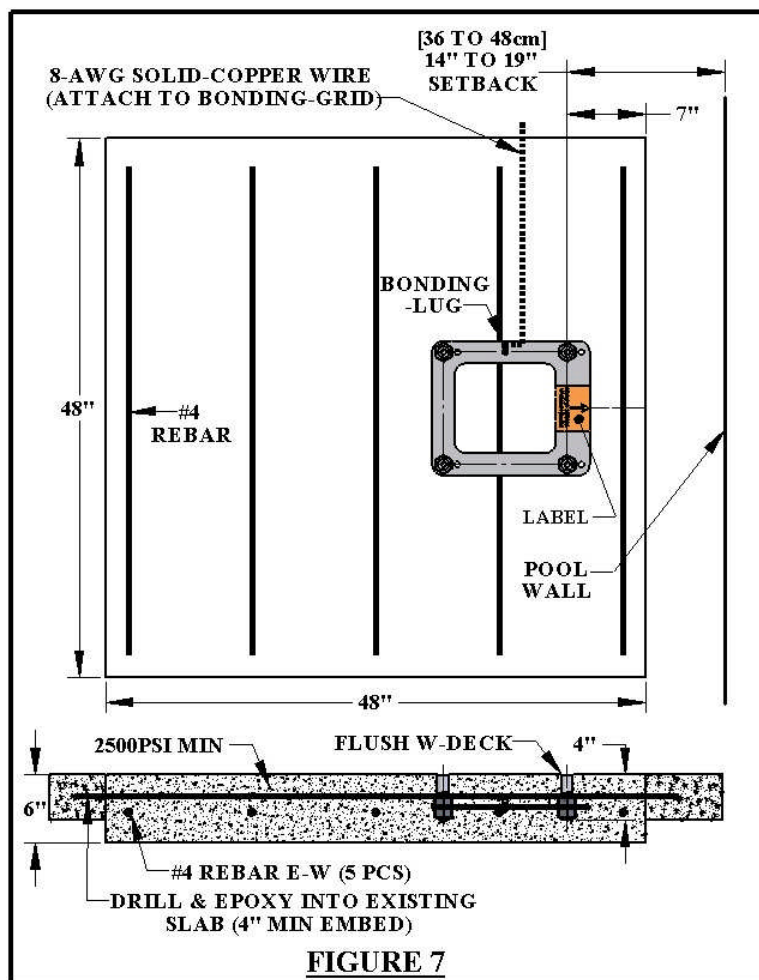
For installations where a new deck is being poured, or where a dedicated pad is being poured just for the pool lift, the concrete must satisfy the requirements outlined on page 4. For convenience here are the requirements again;

YOUR POOL DECK MUST BE AT LEAST 4-FEET LONG BY 4-FEET WIDE BY 6-INCHES THICK. IT MUST BE REINFORCED WITH #4 REBAR (5 sticks) 2" CLEAR (MIN) FROM THE TOP AND BOTTOM OF THE FOOTING.

Obviously you may make the deck larger than this – which is almost always the case when putting in a deck that surrounds the pool. Note that the entire deck does not need to be 6" thick, but that the area around the installed lift, 4' by 4', should be 6" thick at a minimum. The rest of the deck may be thinner – 4" is typical – as long as it is 6" thick around the lift.

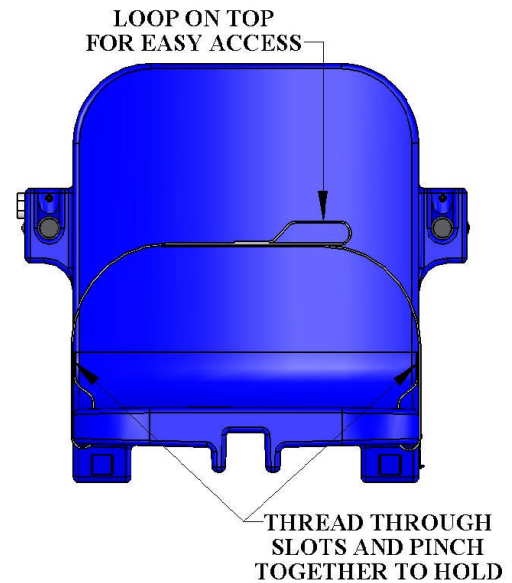
The new deck should be reinforced with five (5) sticks of #4 rebar with a minimum of 2" clearance top or bottom. Our minimum requirement is that the 4' by 4' section be reinforced accordingly, but it is good practice to extend the rebar grid over the entire deck. Commonly, the rebar grid is used for grounding/bonding also. Bonding of the lift can usually be accomplished with a length of bare, 8 AWG solid, copper wire, connected to a piece of the rebar with an approved fitting and then connected to the grounding lug on the anchor plate. Note; this is only effective when the rebar grid itself has been bonded (attached to the pool's equipotential bonding grid with 8-AWG solid-copper wire). See NEC Article 680.26.

CHECK YOUR LOCAL ELECTRICAL CODE: BONDING REQUIREMENTS FOR POOL EQUIPMENT. ALWAYS BOND THE UNIT PER LOCAL ELECTRICAL CODES.



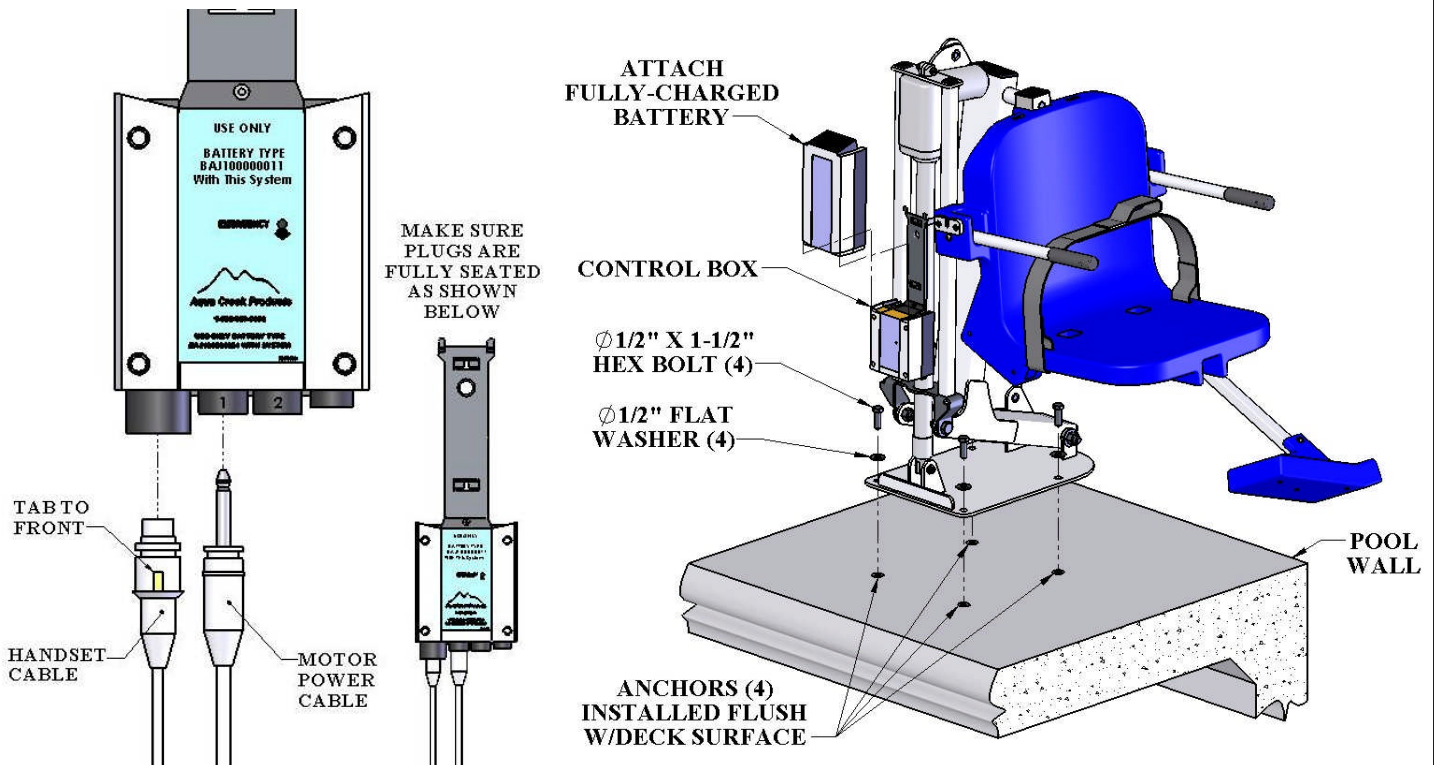
PRO POOL LIFT - ASSEMBLY INSTRUCTIONS

1. Attach Seat belt to the seat as shown.
2. Install the PRO POOL LIFT™ onto the four (4) anchors using the supplied 1/2 x 1-1/2" stainless steel hex-head bolts and 1/2" stainless steel flat washers. Make sure all bolts are tight before using the lift.
3. Plug the handset cable into the large handset socket on the bottom of the control box. Be sure you press the cord end firmly into the socket until you are sure it is all of the way into the socket. Failure to fully push the remote cord into the socket may result in faulty or interrupted operation.

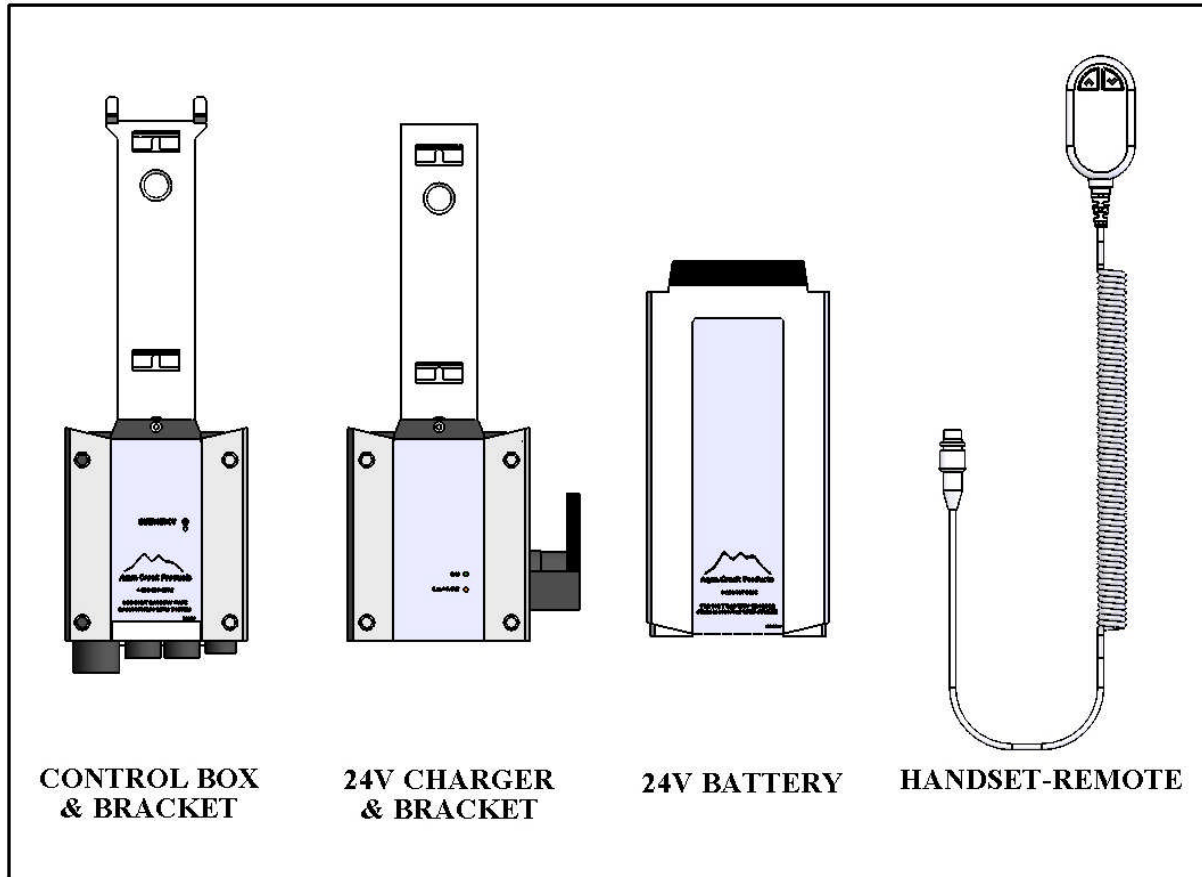


4. Before installing the battery, place it on the charging unit and let it charge for 24 hours. Make sure the orange "charge" light illuminates when the battery is being charged.
5. Remove the fully-charged battery from the charger and install it on top of the Control Box. The battery will line up square with the control box, and will 'click' when it locks in place properly. The lift will only operate when the battery is mounted properly.

WHEN NOT IN USE STORE THE BATTERY ON THE CHARGER. DO NOT LEAVE THE BATTERY ON THE LIFT WHEN NOT IN USE!



24V BATTERY SYSTEM OPERATING AND INSTALLATION INSTRUCTIONS



The Pro Pool Lift™ Battery system comes with a 24v sealed rechargeable battery, wall mount charging unit (with mounting bracket), control box, and a waterproof handheld controller. The control box is mounted to the Pro Pool Lift™ and has a plug-in socket for both the actuator and the handheld controller. The battery mounts directly above the control box with a quick-release clip.

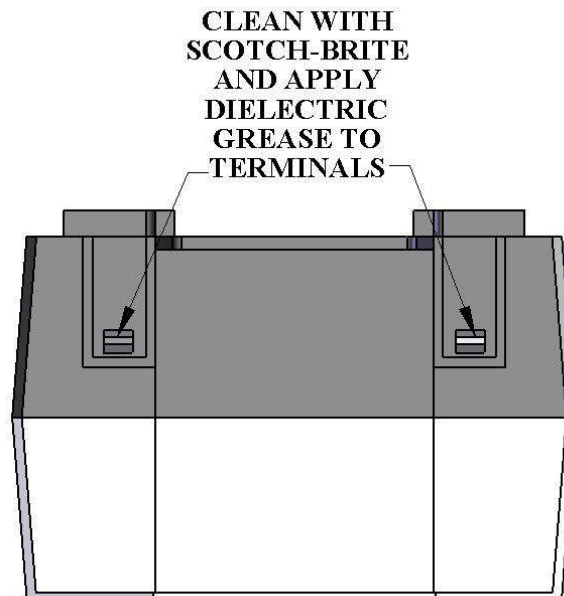
To operate the Pro Pool Lift™, plug in the handheld controller to the control box and push the corresponding button to either lower or raise the unit. The lift should be able to complete approximately 10-20 full cycles before the low battery indicator tone will sound. The low battery tone indicates that there is approximately 20% battery life remaining. At this point, **DO NOT ATTEMPT TO OPERATE THE LIFT**, remove the battery from the unit and recharge on the wall mounted charging unit.

To recharge the battery, simply grip the top of the battery and depress the clip on the back of the battery. This will unclip the battery from the control box bracket and the battery can then be clipped into the wall mount charger. When the **charger** is plugged in the green **ON** light will illuminate. When the **battery** is correctly mounted to the charger, the orange **CHARGE** light will illuminate. When the battery is fully charged, the **CHARGE** light will **GO OFF** and the battery is ready for use.

WHEN THE BATTERY IS NOT BEING USED IT SHOULD BE STORED ON THE CHARGER AND NEVER ON THE LIFT. DO NOT LEAVE THE BATTERY ON THE LIFT WHEN THE LIFT IS NOT IN USE.

BATTERY MAINTENANCE

1. **RECHARGE THE BATTERY AS OFTEN AS POSSIBLE.** The battery power unit is a sealed lead acid battery pack. Frequent recharges will prolong the battery life and maintain a high cold amperage capacity. THE BATTERY CAN BE STORED ON THE CHARGER WHEN NOT IN USE.
2. Do NOT expose the battery to freezing temperatures.
3. Do NOT expose the battery to prolonged periods of extreme heat or severe cold temperatures.
4. Do NOT expose the battery to long periods of direct sunlight. Heat will shorten your battery life. Optimum operating temperature is below 20 degrees Celsius (68 degrees F.)
5. Never drop or bump the battery pack. This may result in loose or damaged internal connections, and may bend the battery terminals.
6. Keep battery terminals clean and free from dirt and corrosion to ensure good contact. The terminals may be cleaned using Scotch Brite or any similar product. Clean off any corrosion or discoloration on the very top surfaces of the battery contacts and then apply dielectric grease (supplied with lift) as shown in the figure below.



USING THE “EMERGENCY BUTTON” on the Pro Pool Lift Control Box

On the front side of the control box is a small recessed button marked “emergency”. Take a pen or pencil or other pointed object and depress the “emergency” button. This will bypass the remote control and send a signal directly to the actuator to raise the seat out of the pool and back to the deck or up position.

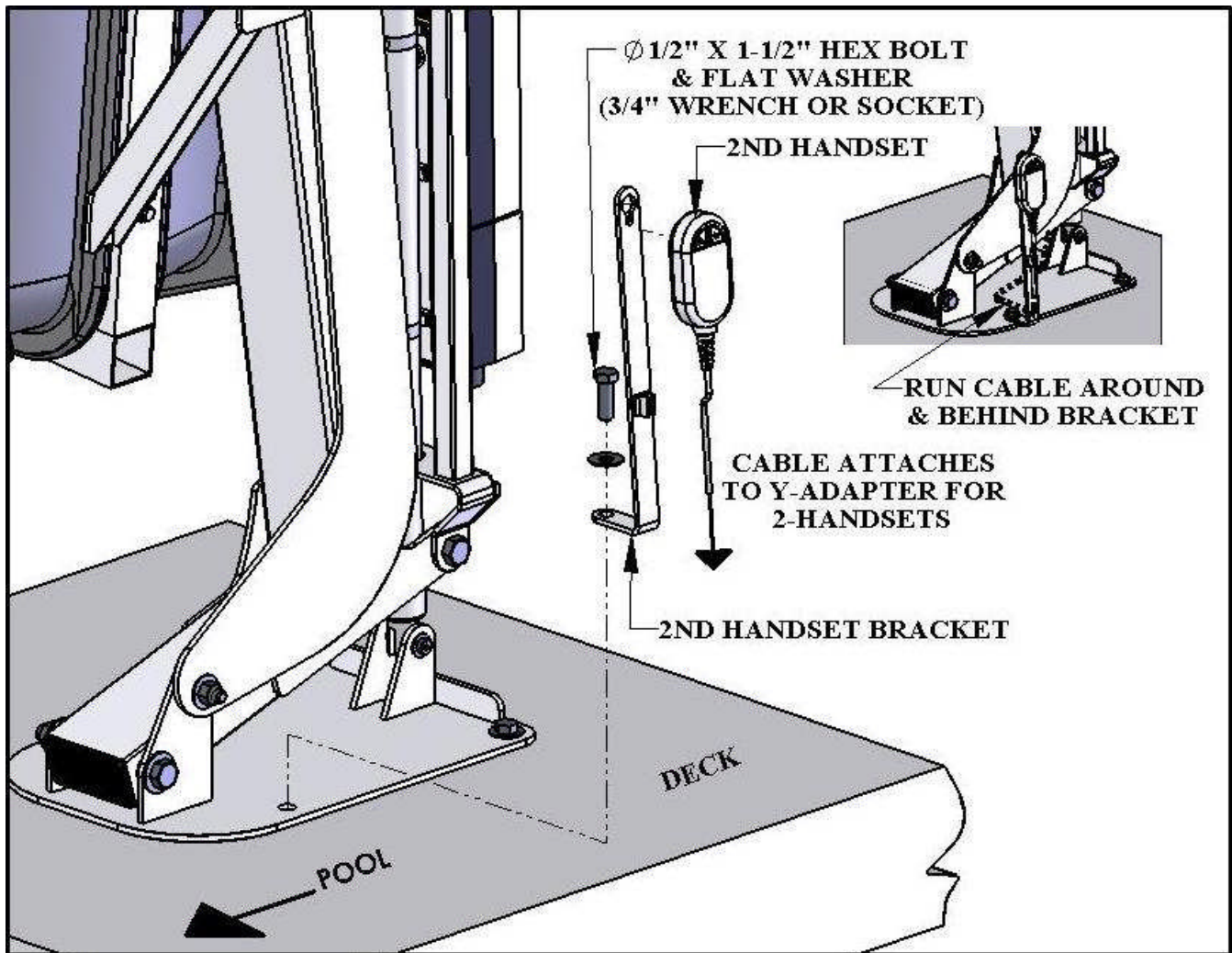
NOTE: This function will only work if there is sufficient power in the battery, the battery is properly attached to the control box, and the control box must be operating properly.



2ND HANDSET-KIT INSTALLATION (OPTIONAL):

For applications that require a 2nd handset-remote, for instance in public facilities, the Pro Pool-AT has an optional 2nd handset kit available. The kit consists of a 2nd 2-button handset-remote, a bracket for holding the remote at the proper, fixed location and a y-adapter cable for connecting the two handsets to the control box.

To install the device remove the back-front 1/2" anchor-bolt and install the bracket and handset as shown in the figure below. The bracket makes it possible to use the 2nd handset from either the pool or the deck, so that a handset is always available.



PRO POOL-AT™ LIFT OPERATING INSTRUCTIONS:

NOTE: CHECK ALL NUTS & BOLTS FOR TIGHTNESS AND FOR WORN PARTS BEFORE EACH USE. NEVER OPERATE THE LIFT WITH THE ARMRESTS FLIPPED UP.

The Pro Pool Lift™ should always be in the full up or deck position before a user attempts to transfer into the chair. Before attempting to transfer into the chair, check to make sure the lift is operating by making a short test run: move the chair at least part way in and out of the pool.

As you are standing in front of the chair, facing the chair, the armrest on either side will flip up to allow for easier lateral transfers. Transfer into the chair and then lower the flip-up armrest back into its normal position. Secure the adjustable lap belt around the waist so that the belt is snug, but not uncomfortably tight.

You are now seated comfortably in the Pro Pool Lift™, and ready to move into the pool or spa. Before you begin the operating cycle, take a visual check of the deck area and pool area to make sure the operating path of the lift is clear.

It is not necessary to lower the lift all the way to the bottom of the lift's stroke. You may stop the lift at any time in the downward cycle once the chair is under water and it is comfortable for you to exit the chair into the water.

This is NOT true however, when returning to the deck during the up cycle. The lift should always be cycled completely to the up or deck position before attempting to exit the chair on the deck.

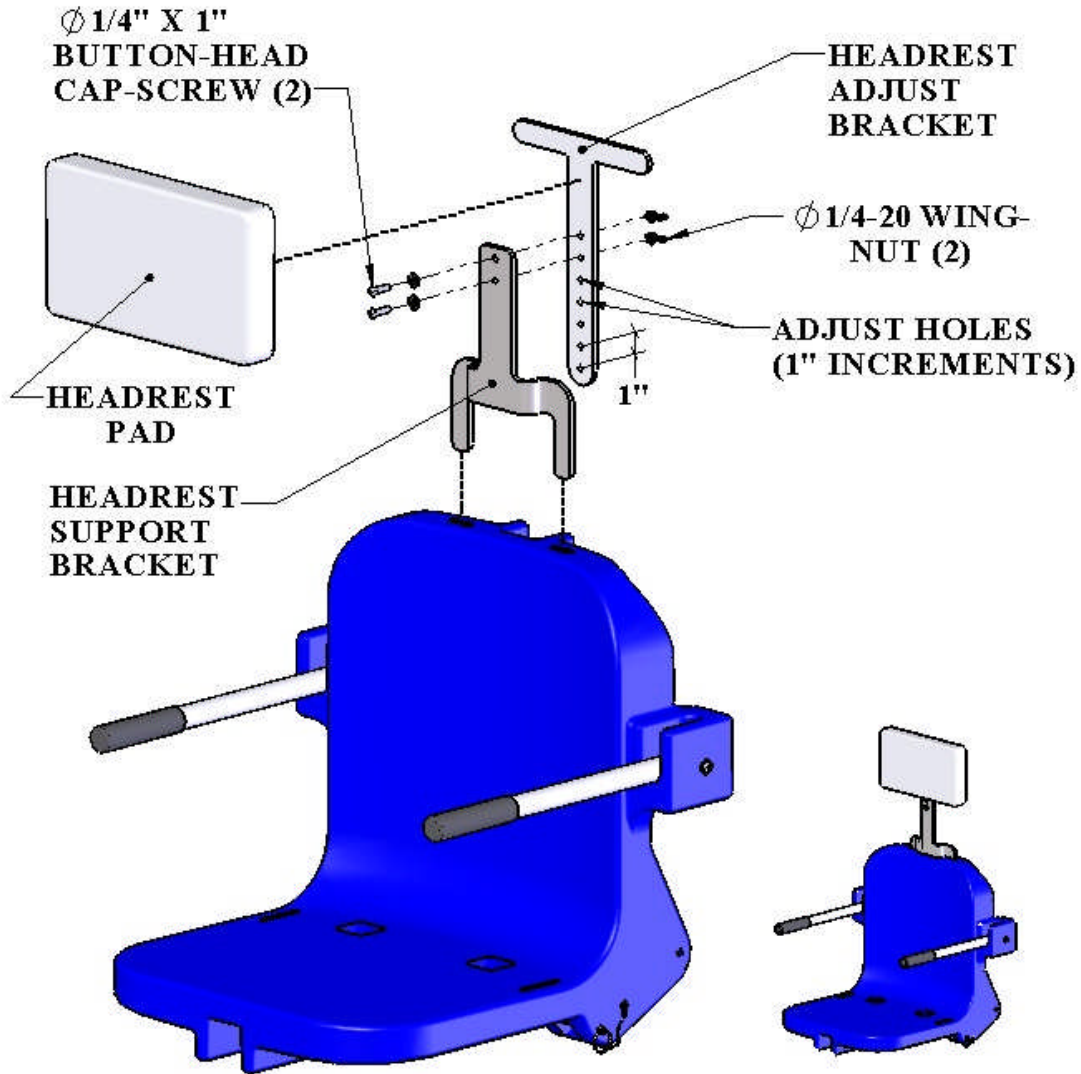
To lower the lift into the pool, simply apply pressure on the down arrow button on the remote control handset and the chair will start to move towards the pool. NOTE: for safety reasons, it is necessary to maintain continuous pressure on the control button. If you take your finger off of the control button the lift will stop.

When you are sufficiently submerged into the water to allow for an easy exit from the chair, you may stop the lift cycle by releasing pressure on the down arrow button on the remote control handset. Now release the lap belt by grasping the end of the belt that is protruding above the lap belt and tugging gently. You may now flip up the footrest to create more room in front of the chair for you to exit. Exit the chair by sliding straight forward until you are clear of the seat and the footrest.

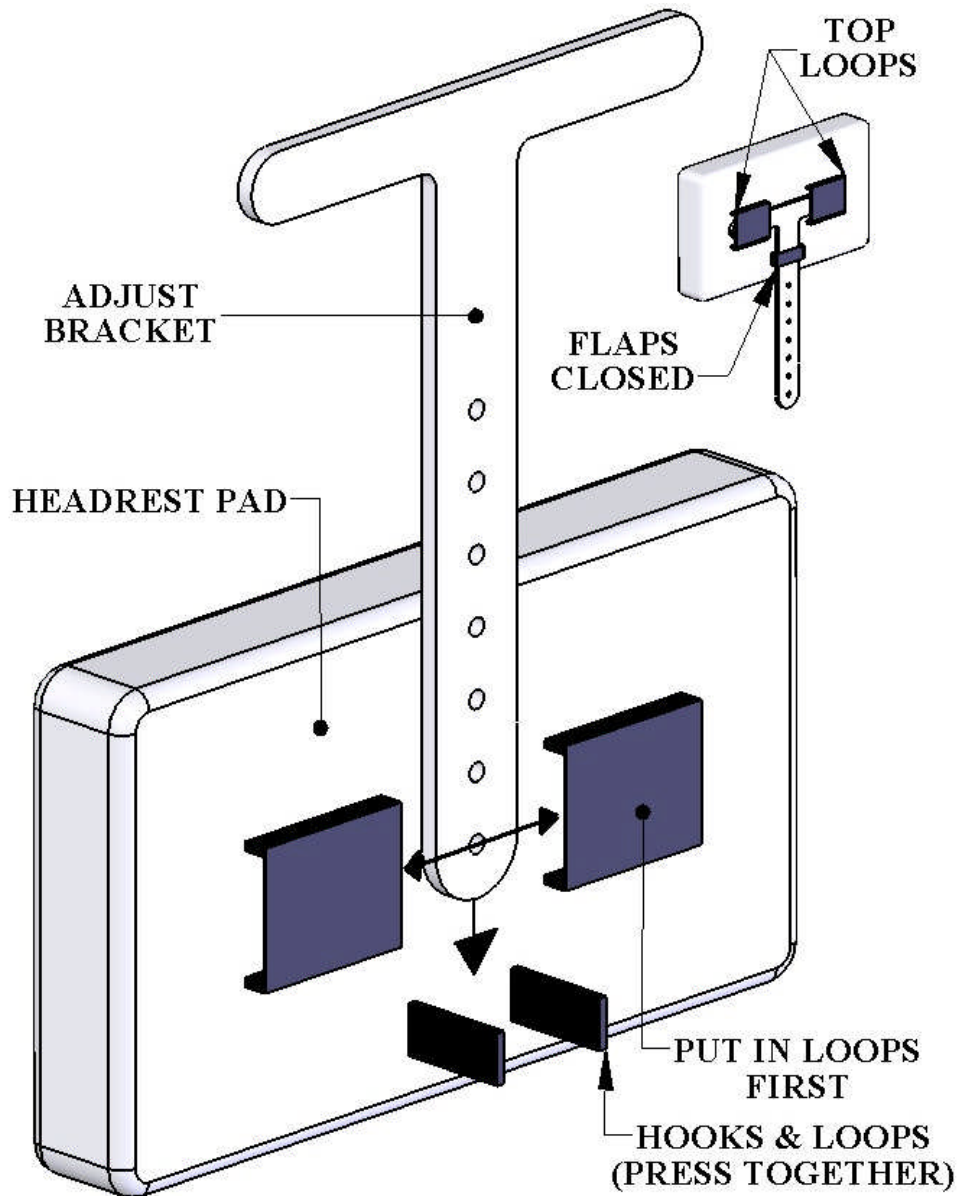
When you are ready to return to the lift seat and exit the pool or spa, make sure that the chair is lowered (submerged) sufficiently to allow you to easily slide into the chair. You should not attempt to "lift" or raise yourself into the chair. Once you are resealed into the chair, you may lower the footrest to its normal operating position and place your feet on the footrest. Next, re-secure the adjustable lap belt snugly around your waist. To raise the chair out of the pool, simply press on the up arrow button on the remote control handset and apply continuous pressure until the lift chair comes to a rest on the deck in the full up position. You may now release the lap belt and exit the chair.

THE (OPTIONAL) HEADREST ASSEMBLY

The HEADREST ASSEMBLY attaches directly to the chair assembly, and is adjustable for optimum comfort. The components of the HEADREST ASSEMBLY are shown below, along with the chair to show how it attaches. The wing-nuts allow for quick adjustment without having to remove the assembly from the chair. The headrest pad is also removable for cleaning. Look over the diagram below to familiarize yourself with the components before installing and using the HEADREST ASSEMBLY.



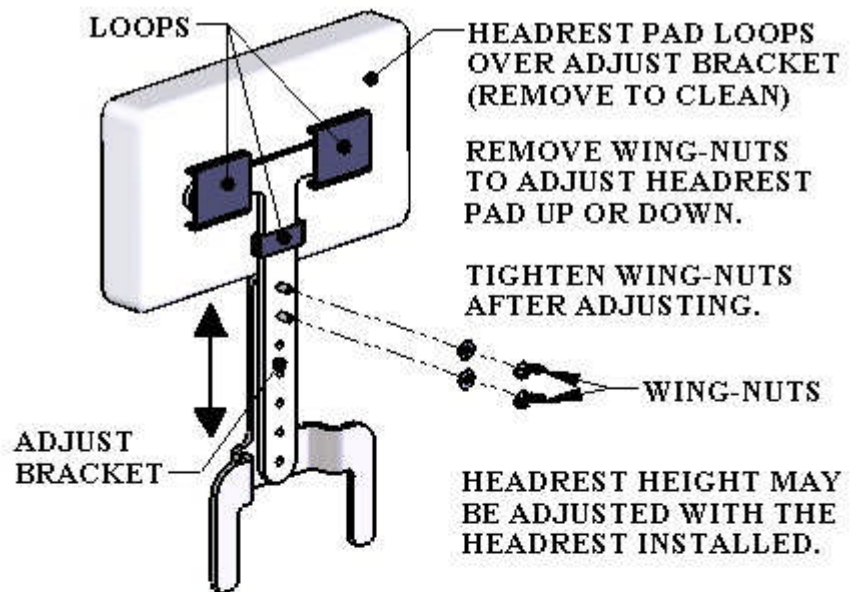
INSTALLING THE HEADREST PAD



The ADJUST BRACKET must be removed from the assembly to install or remove the HEADREST PAD. When installing the pad thread the bracket through the top loops first and then press the flaps together (hooks & loops fastener) to complete the installation. To remove the pad, reverse this procedure.

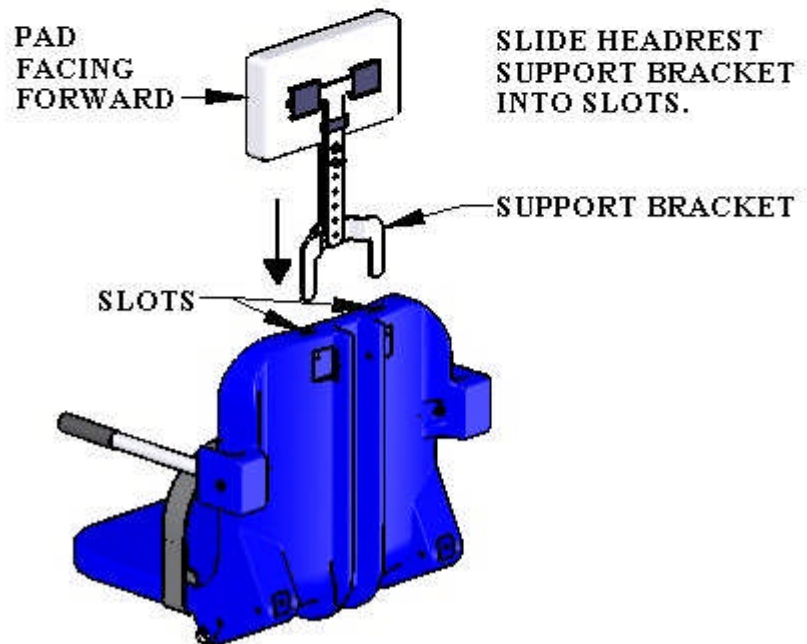
INSTALLING THE HEADREST ASSEMBLY

1] If the HEADREST PAD has not yet been installed install it first. The pad height may be adjusted now, or after the assembly has been attached to the chair. Assemble fully as shown in the diagram to the right.



2] Slide the SUPPORT BRACKET into the slots on the top of the chair.

The INTEGRATED HEADREST ASSEMBLY is now ready to adjust and use.



NOTE: The INTEGRATED HEADREST ASSEMBLY will work on all 2nd generation 18" wide Aqua Creek Products' chairs*. The 18" chair comes standard on all Aqua Creek Products' ScoutTM, RangerTM, Pro PoolTM and PatriotTM pool lifts.

*(The 2nd generation 18" wide chair has the slots for the INTEGRATED HEADREST, where the 1st generation 18" wide chair does not).

SAFETY & MAINTENANCE INSTRUCTIONS

Do not play on or around this lift

1. Check the PRO POOL LIFT™ before each use to assure there are no worn parts and that all hardware is properly tightened. If there are any worn parts, replace them BEFORE using the Pro Pool Lift™. You can call our customer service at 1-888-687-3552 to order any parts.
2. Aqua Creek Products, LLC lifts shall be grounded per local codes.
3. At least ONCE A WEEK, the Pro Pool Lift™ must be cleaned with fresh water. Do not spray the Pro Pool Lift™ 24v battery unit directly with any pressure. Wipe all surfaces clean with a damp, non-abrasive cloth. When cleaning the Pro Pool Lift™, use non-abrasive soap and water. Avoid harsh chemicals and disinfectants.
4. Always read the label instructions on any cleaner carefully before applying it to a surface.
5. The WARNING & INTENDED USE labels on the Pro Pool Lift™ need to be maintained in readable fashion. If they become un readable or faded, please replace the label immediately. Replacement labels are available from AQUA CREEK PRODUCTS LLC. 1-888-687-3552.

CARE OF YOUR LIFT

Routine cleaning is an absolute necessity to ensure the integrity of the lift. Note that the Aqua Creek Pool Lift should not be stored in a pump room or in a storage room where pool chemicals are kept. Storing the lift near pool chemicals may cause rusting and other damage to occur. Your Aqua Creek stainless steel lift is powder coated to protect the stainless steel from rusting. Most rusting will occur at weld points, crevices, under gaskets, rivets or bolt heads.

The choice of a proper cleaning product is up to the consumer and there are many to choose from. Depending on the type of cleaning and the degree of contamination (rusting), some products are better than others. For routine cleaning the products most recommended are gentle soaps or detergents or dilute mixtures of ammonia. For stubborn spots and stains try using soft scrub with some brisk rubbing.

DO NOT USE POOL WATER TO CLEAN USE ONLY FRESH WATER

If the lift is used **DAILY** make sure to wash the lift at the end of the day. Wash the lift off using a mild soap and a soft cloth. Make sure to pay special attention to weld points and crevices. Do not use a bristled brush or steel wool to clean the lift. Check that the lift is working properly and then place the battery on the charger. It is recommended that the battery be charged after every day of use.

If the lift is used **WEEKLY** follow the same steps as above. Also be sure to check all of the contact points (terminals) for damage or corrosion. If you notice corrosion gently clean the terminals. To clean corrosion from the terminals use a q-tip and some rubbing alcohol. If the corrosion is particularly stubborn try using a 3M scotch brite pad, but be careful not to damage the terminals. Apply dielectric grease to the terminals after

cleaning them. This will help to prevent further corrosion. Do not leave the battery on the lift. Always store the battery on the charger whenever the lift is not being used.

If the lift is used **MONTHLY** follow the same steps as above. Also check the nuts and bolts to make sure they are securely fastened (this is always a good idea, no matter how often or infrequently the lift is used). Also make sure to store the battery on the charger and not on the lift. Leaving the battery on the lift for extended periods will significantly shorten the battery's lifespan.

If the lift is being **STORED** for an extended period of time follow all of the steps above. Check for rusting at all crevice and weld points. If you notice rusting spray some WD-40 on the affected area and take a 3M scotch brite pad and rub briskly. Afterwards be sure to wash and rinse the lift again with soap and water. When storing the lift make sure it is in a dry area and covered. **DO NOT STORE** in or around pool chemicals.

TROUBLESHOOTING GUIDE

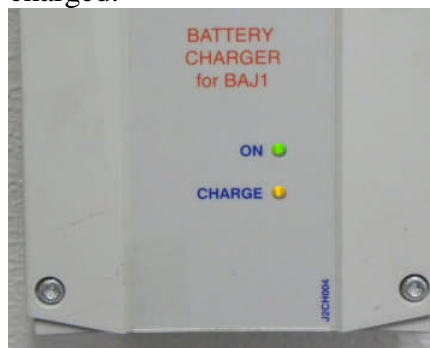
Before troubleshooting make sure the battery is fully charged.

If the lift doesn't move when the handset button is pressed:

When you can't get the lift to move check the following things:

1. Make sure the battery is fully charged:
 - A. Before charging the battery first make sure the **green** light on the front of the charger is illuminated (this means that the charger is on). Then check to make sure the silver contact points on the battery and charger are not damaged or corroded, and that they are clean. Then place the battery on the charger and look for the **orange** charge light to illuminate on the front of the charger. When the orange light goes off the battery is fully charged.

The top **green light** will always be illuminated indicating that it has power. When charging the battery the bottom **orange light** will illuminate, until fully charged.



- B. When the battery is correctly installed on the charger or control box you should hear a “click” indicating the battery is properly seated on the unit. Also note that when the battery is properly seated there should not be any gaps between the battery and the control box/charger.



Not attached properly. Note the white bracket is in front of silver clip, which will not allow for an electrical connection.



Properly Attached. Note that the white bracket is behind the silver clip. Not allowing movement.

If the battery is fully charged and the lift is not moving then:

2. Check all cords:

- A. Check that the cords are properly plugged in. Start by unplugging the remote and the actuator cord from the control box. Once these cords are removed check the ends for corrosion or damage. Plug the remote cord back in by lining up the raised tab on the plug to the grooved line on the control box outlet. Note that these cords require some force to plug them in fully. You will know they are correctly inserted when you hear a “popping sound”. The cords will be recessed into the outlet. If they are flush with the outside of the outlet they are not plugged in fully and the lift will not function. Make sure you do this for both cords.



NOT inserted fully.

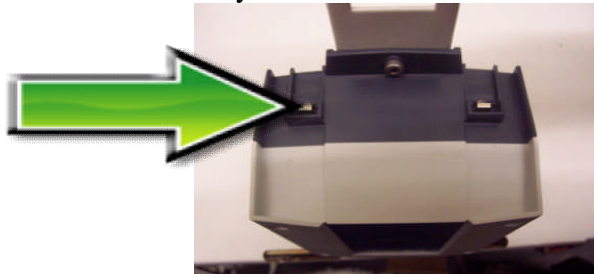


Fully inserted.

If you have checked all the cords and the lift still doesn't move:

3. Check the contact points:

- A. After you have fully charged the battery and checked the cords to make sure they are properly plugged in, check to make sure the contact points are not corroded or bent. If the contact points are corroded take some rubbing alcohol and a q-tip and clean off the points. After cleaning the contact points it is recommended to put some dielectric grease on the contact points (terminals) to help ensure good electrical contact and prevent corrosion. Then reinstall the battery on top of the control box. Make sure you hear a “click”, which indicates that the battery is correctly seated. The lift will not work if the battery is not seated correctly.



Silver tabs are the contact (terminal) points.

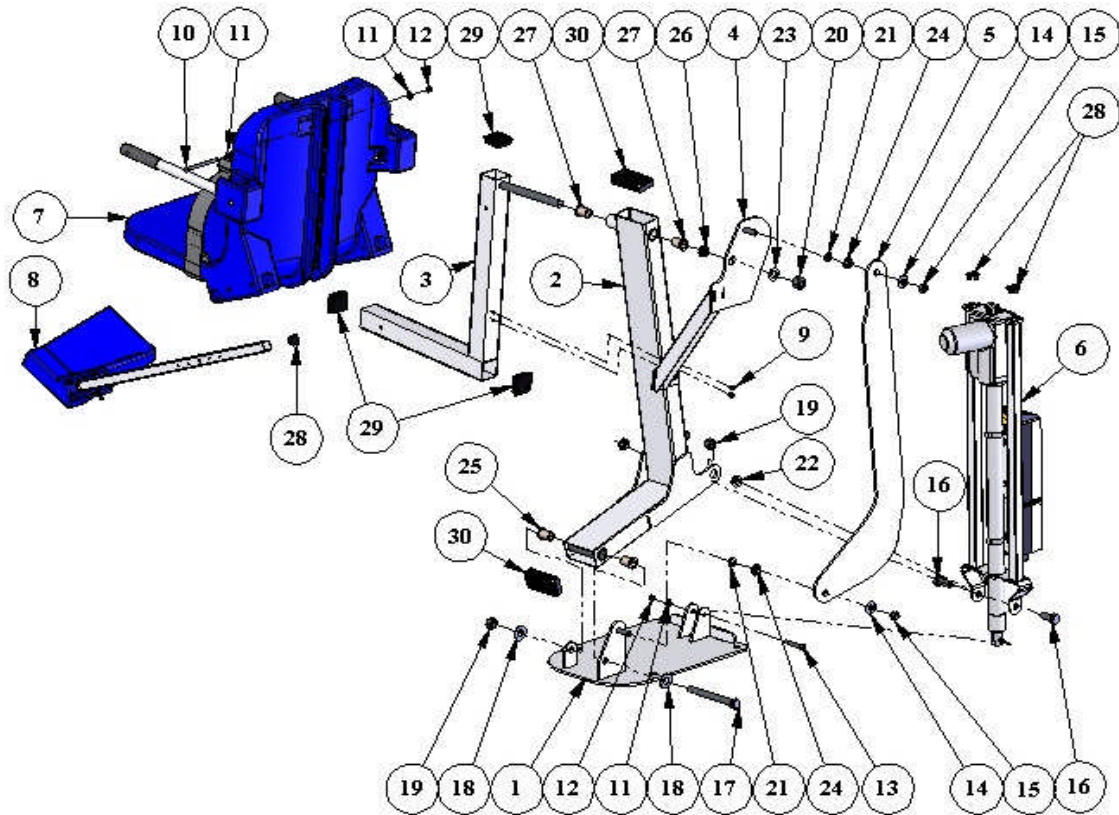
If the lift stops moving over the water and is stuck:

4. Then try pushing the emergency button:

A. If the lift gets stuck out over the water use a pen or pencil tip and stick it into the emergency button on the front of the control box to retract the lift. Note the lift will not retract if the battery is not fully charged or if the control box is not working. The emergency button only overrides the remote in case it has gone bad. If this does not retract the lift then chances are the remote is fine and you either have a problem with the battery, the control box, or the cords are damaged or not plugged in properly.

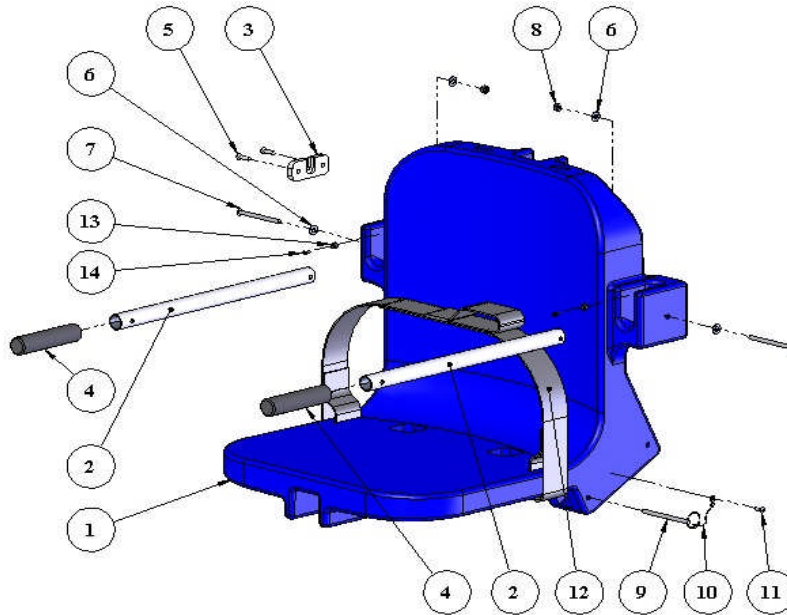
Use a pen or pencil tip to push in the small black circle located next to the word **emergency**, on the front of the control box.





PRO POOL LIFT: PARTS LIST

ITEM NO.	QTY	PART NUMBER	DESCRIPTION
1	1	PPB-100-10	PP-AT BASE ASSEMBLY
2	1	PPF-200-10	PP-AT MAIN FRAME ASSEMBLY
3	1	A-2012ARM-R1	PRO POOL CHAIR ARM ASSY
4	1	A-2012SRS	PRO POOL SEAT SUPPORT
5	1	L-2014FBL-PAT-R2	PP-AT CONTROL ARM
6	1	A-8980PPAF-AT	PRO POOL-AT ACTUATOR ASSY
7	1	SA-0904CA-A	18" CHAIR ASSEMBLY
8	1	SA-0904FRA	FOOTREST ASSEMBLY
9	2	BOLT, 1/4 x 3/8 HWH, SS	1/4"-20 X 3/8" HEX WASHER HEAD, SS
10	1	BOLT, 5/16 x 4 HCS	5/16"-18 X 4" HEX BOLT, SS
11	3	FLAT WASHER, 5/16 SS	5/16" FLAT WASHER, SS
12	2	NYLOCK, 5/16 SS	5/16"-18 NYLOCK NUT, SS
13	1	BOLT, 3/8 x 1 3/4 SHOULDER	3/8" X 1-3/4" SHOULDER BOLT, SS
14	2	FLAT WASHER, 1/2, SS	1/2" FLAT WASHER, SS
15	2	NYLOCK, 1/2 SS	1/2"-13 NYLOCK NUT, SS
16	2	BOLT, 5/8 X 1 1/2 HCS	5/8"-11 X 1-1/2" HEX BOLT, SS
17	1	BOLT, 5/8 X 6 HCS	5/8"-11 X 6" HEX BOLT, CUSTOM
18	2	FLAT WASHER, 5/8 SS	5/8" FLAT WASHER, SS
19	3	NYLOCK, 5/8 SS	5/8"-11 NYLOCK NUT, SS
20	1	NYLOCK, 3/4 SS	3/4"-10 NYLOCK NUT, SS
21	2	TT-1001-1	7/8" X 1/2" X 1/8" THST WSR, BZ
22	2	MACH-BUSHING, 5/8 X 7/8 X 1/4	5/8" X 7/8" X 1/4" CUSTOM BUSHING
23	1	TT-1205-1	1-1/4 X 3/4 X 1/8 THST WSR, BZ
24	2	FL-50-3	1/2" X 5/8" X 3/8" FLNG BRNG, BZ
25	2	FL-64-6	5/8" X 7/8" X 3/4" FLNG BRNG, BZ
26	1	MACH-BUSHING, 7/8 X 3/4 X 1/4	3/4" X 7/8" X 1/4" FLNG BRNG, BZ
27	2	FL-75-6	3/4" X 7/8" X 3/4" FLNG BRNG, BZ
28	3	SQR-1-10-14	1" SQ. BLACK PLASTIC CAP
29	3	SQR-2-10-14	2" SQ. BLACK PLASTIC CAP
30	2	RER-50X100MM	2" X 4" RECT. PLASTIC CAP

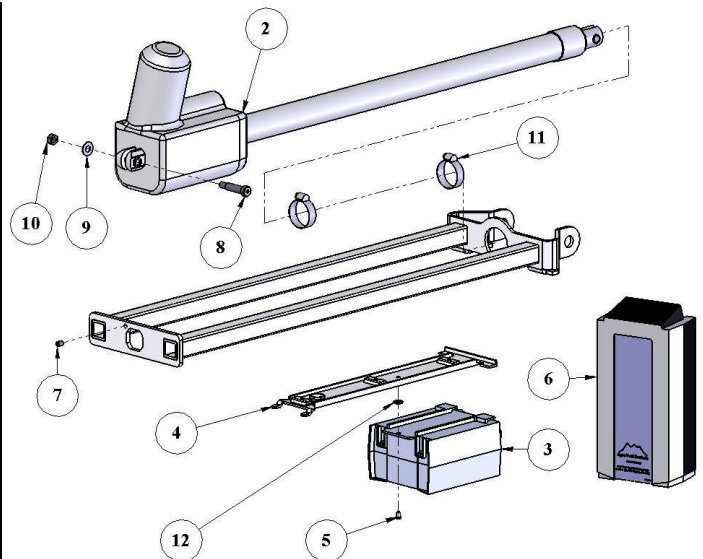


SEAT ASSEMBLY: PARTS LIST

ITEM NO.	QTY.	PART NUMBER	DESCRIPTION
1	1	P-901	CHAIR, BLUE ROTOMOLDED (18" WIDE)
2	2	P-2100FLA-A	ARMREST TUBE
3	1	P-1208HSB	HANDSET BRACKET, HDPE
4	2	RUBBER HAND GRIPS	RUBBER HAND GRIPS, BLACK
5	2	SCREW, #12 X 3/4 FHMS	#12 X 3/4" FLAT-HD SHEET-METAL SCR SS
6	4	FLAT WASHER, 1/4 SS	1/4" FLAT WASHER, 316 SS
7	2	BOLT, 1/4 X 3 1/4 BHSCS	1/4"-20 X 3-1/4" BUTTON-HD CS, SS
8	2	NYLOCK, 1/4 SS	1/4"-20 NYLOCK NUT, SS
9	1	COTTER PIN, 1/4 X 3 1/4	1/4" X 3-1/4" QUICK-PULL PIN FOR FOOTREST
10	1	LANYARD	SS LANYARD FOR FOOTREST PIN
11	1	SCREW, #10 X 3/4 PHMS	#10 X 3/4" PAN-HEAD SHEET-METAL SCR, SS
12	1	F-38SB	SEAT BELT, 2" BLACK W/VELCRO FOR PP
13	2	RUBBER BUMPER 3/8	3/8" RUBBER BUMPER, BLACK
14	2	SCREW, #6 X 1/2 PHSMS	#6 X 1/2" PAN-HD SHEET-METAL SCR, SS

ACTUATOR ASSEMBLY: PARTS LIST

ITEM NO.	QTY	PART NUMBER	DESCRIPTION
1	1	A-8989PPAF	PRO POOL ACTUATOR FRAME
2	1	340461-00	600mm LINEAR ACTUATOR
3	1	CBJ2001NA001381	I-CHANNEL CONTROL BOX
4	1	MBJ2-01	MOUNTING BRACKET, CB/BATTERY
5	1	M5 X10 LPCS	M5 X 10mm LOW-PRO CAP SCREW
6	1	BAJ100000291	24V BATTERY W/ACP LOGO
7	1	SET SCREW, 1/4 X 3/8	1/4"-20 X 3/8" SETSCREW, SS
8	1	BOLT, 3/8 X 1 1/4 SHOULDER	3/8" X 1-1/4" SHOULDER BOLT, SS
9	1	FLAT WASHER, 5/16 SS	5/16" FLAT WASHER, SS
10	1	NYLOCK, 5/16 SS	5/16"-18 NYLOCK NUT, SS
11	2	HOSE CLAMP, 1 3/4. SS	1-3/4" HOSE CLAMP, SS
12	1	FLAT WASHER, #10	#10 FLAT WASHER, SS



Aqua Creek Products, LLC Limited Warranty: **Pro Pool-AT™ Lift**

Aqua Creek Products lifts have a **Limited Lifetime Warranty** on the frames, not including the powder coat finish. Aqua Creek Products, LLC (a.k.a. Aqua Creek) also warrants to the original end user that all non-frame components manufactured by Aqua Creek, when properly installed in accordance with assembly and installation instructions, and properly used and maintained, shall be free from defects in material and workmanship for a period of five (5) years from the date of original purchase, provided that Aqua Creek receives prompt notice in writing of any defect or failure and satisfactory proof thereof, with the following exceptions:

Exception : All electrical components, including the linear actuator shall have the following warranty period:

Year 1-2: 100% Coverage

Year 3: 60% Coverage (Customer is responsible for 40% of replacement cost)

Year 4: 50% Coverage (Customer is responsible for 50% of replacement cost)

Year 5: 40% Coverage (Customer is responsible for 60% of replacement cost)

This warranty specifically excludes reimbursement for labor to remove, repair, or install the product and any return freight charges.

These warranties do not cover any damages due to accident, misuse, abuse, negligence or failure to properly maintain any products, or normal wear and tear from day to day operations. In the event that any products are altered, repaired, or improperly installed or improperly used by anyone without the prior written approval by Aqua Creek, all warranties are void. **IMPORTANT: AMOUNT OF WEIGHT PLACED ON LIFT SHALL NOT EXCEED THE RATED LIFTING CAPACITY OF 450 POUNDS [204 kg] FOR THE PRO POOL-AT LIFT. NEVER OPERATE THE PRO POOL-AT LIFT UNDER LOAD IN A DRY POOL (WITH NO WATER IN THE POOL).**

To initiate a warranty claim, the owner of an Aqua Creek product must provide the place of purchase, in writing, with a full description of the product, its serial number, the dates of purchase and installation, and the exact nature of the defect. Within thirty (30) days after receipt of a written warranty claim by Aqua Creek, and barring any unforeseen delays, the place of purchase will be notified of Aqua Creek's decision regarding the claim.

If requested by Aqua Creek, any defective product must be returned, freight prepaid, to Aqua Creek's designated factory location or duly appointed distributor for inspection and/or repair. Aqua Creek will, at its option, repair or replace the failed or defective item, and deliver the repaired product or replacement to the buyer of the product, freight prepaid to the destination provided for in the original order. Products returned to Aqua Creek for which Aqua Creek provides replacement under this limited warranty shall become the property of Aqua Creek.

A new warranty period shall NOT be established for the repaired or replaced products. Such products shall remain under warranty only for the remainder of the original warranty period on the original products purchased.

This written limited warranty constitutes the final, complete and exclusive statement of warranty terms. No person or organization is authorized to make any other specific or implied warranties or representations on behalf of Aqua Creek.

THE WARRANTIES SET FORTH HEREIN ARE IN LIEU OF ALL OTHER WARRANTIES, EXPRESSED OR IMPLIED, WHICH ARE HEREBY DISCLAIMED AND EXCLUDED, INCLUDING WITHOUT LIMITATION ANY WARRANTY OF MERCHANTABILITY OR FITNESS FOR A PARTICULAR PURPOSE OR USE.

THE SOLE AND EXCLUSIVE REMEDIES FOR BREACH OF ANY AND ALL WARRANTIES WITH RESPECT TO THE PRODUCTS SHALL BE LIMITED TO REPAIR OR REPLACEMENT AT AQUA CREEK'S DESIGNATED FACTORY LOCATION, OR DULY APPOINTED DISTRIBUTOR, OR IN PLACE AT AQUA CREEK'S OPTION. IN NO EVENT SHALL AQUA CREEK'S LIABILITY EXCEED THE ENTIRE AMOUNT PAID TO AQUA CREEK BY THE ORIGINAL PURCHASER FOR THE FAILED OR DEFECTIVE PRODUCT.

IN NO EVENT SHALL AQUA CREEK PRODUCTS, LLC BE LIABLE FOR ANY INCIDENTAL, CONSEQUENTIAL, SPECIAL, INDIRECT, PUNITIVE OR EXEMPLARY DAMAGES OR LOST PROFITS FROM ANY BREACH OF THIS LIMITED WARRANTY OR OTHERWISE.

THIS WARRANTY GIVES YOU SPECIFIC LEGAL RIGHTS AND YOU MAY ALSO HAVE OTHER RIGHTS, WHICH MAY VARY FROM STATE TO STATE.

SOME STATES DO NOT ALLOW THE EXCLUSION OR LIMITATION OF INCIDENTAL, SPECIAL OR CONSEQUENTIAL DAMAGES, SO SOME OF THE ABOVE LIMITATIONS OR EXCLUSIONS MAY NOT APPLY TO YOU.

Aqua Creek Products
9889 Garrymore Lane
Missoula, MT 59808